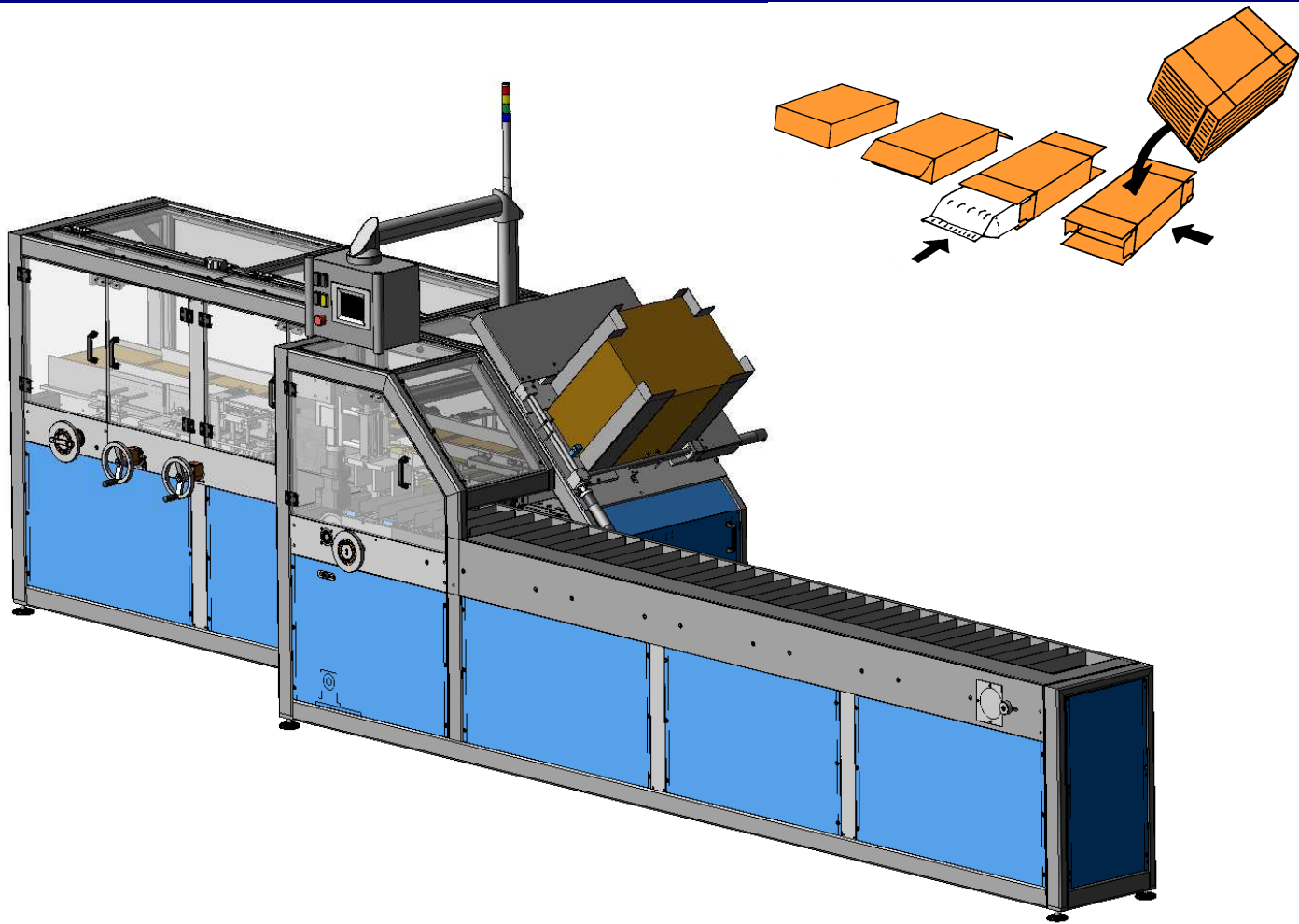


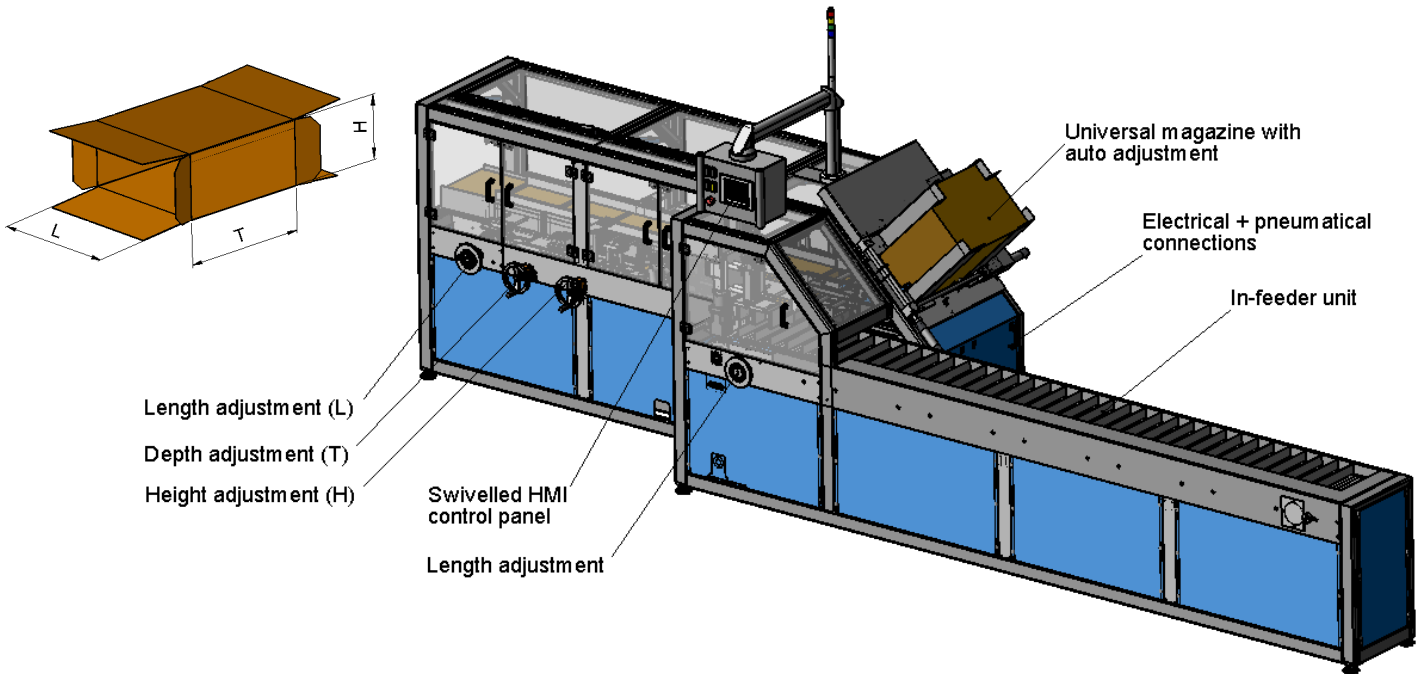
## BPM2400AL - UNIVERSAL CARTON FILLING MACHINE



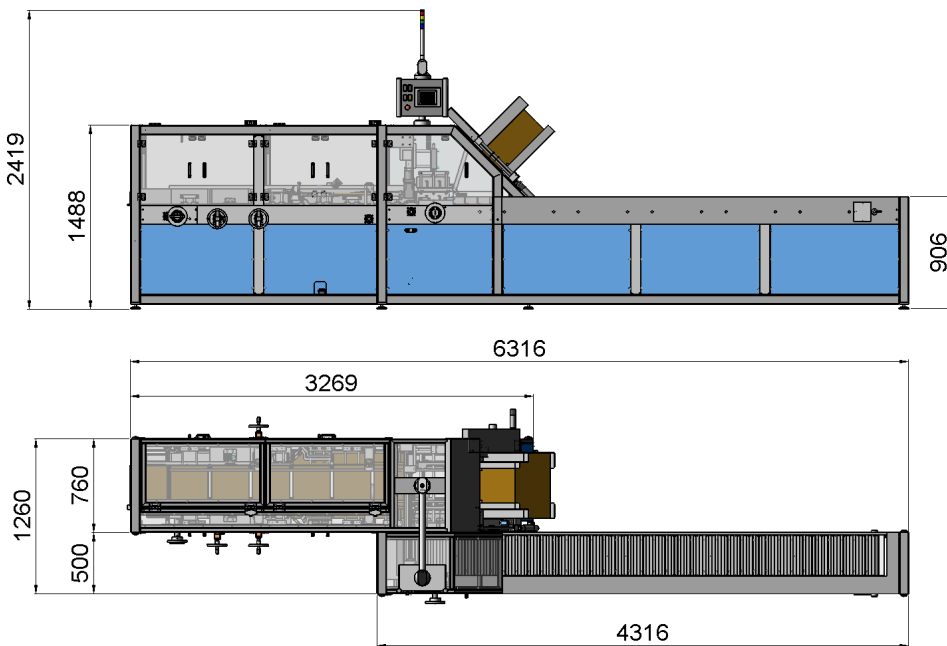
- **Universal horizontal cartoning machine, with adhesive or push in flap** (The machine can be very simply re-adjusted to accept various packaging requirements)
- **Product output: up to 2400 cartons per hour**  
(Depending on the carton size and shape)
- **Control system with touch-screen HMI and PLC controller**
- **Option: Dual in-feed systems**
- **Option: Available in stainless steel execution**
- **Option: With carton printer and instruction sheet**
- **Option: Available in mirror image execution**



## BPM2400AL - UNIVERSAL CARTON FILLING MACHINE



### BPM2400AL Technical Data:



<b>Dimensions</b>	Carton sizes:
<b>Depth:</b>	74 - 500 mm
<b>Length:</b>	20 - 318 mm
<b>Height:</b>	12 - 140 mm
<b>Output rate:</b>	Up to 2400 cartons per hour. (Depending on the product dimensions and shape.)
<b>Electrical supply:</b>	3 x 400V 50/60 Hz
<b>Controls:</b>	PLC type Siemens S7-300
<b>Compressed air:</b>	6 bar/ 90 psi at approx.40 Liter / Minute
<b>Weight:</b>	1800 kg
<b>Options:</b>	Adhesive sealing Push in flap closure In-feeder interfaces Add instruction sheet Printing Pharma- und food industry conformity